



GROWER'S CHOICE
HORTICULTURAL LIGHTING



Toll Free Number: (909) 972-8419

E-mail: info@growersc.com

Website: www.growersc.com

Address: 2510 E Merrill Ave, Ontario, CA 91762



GROWER'S CHOICE
HORTICULTURAL LIGHTING

Propagation

Pro - Pod

Assembly Guide



Plate G(No Light Board): 1 pcs

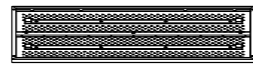


Plate F1/F4(There are two light panels): 2 pcs

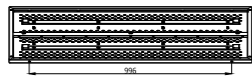


Plate F2(With light board, with support hole/996cm): 1 pcs

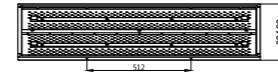


Plate F3(With light board, with support hole/512cm): 1 pcs



E-L
E-L/Top Support: 2 pcs



E-R
E-R/Top Support: 2 pcs

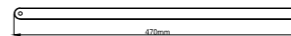


F-L
F-L/Bottom Support: 2 pcs



F-R
F-R/Bottom Support: 2 pcs

1



N
N-/Support Rod: 2 pcs



H
H/Foot frame cross bar: 8 pcs



S-1
Screw: M6*10mm
Washer: Φ 14*6*1mm

S-1/Screws & washers: 16 pcs



S-2
Screw: M6*30mm
Washer: Φ 14*6*1mm

S-2/Screws & washers: 20 pcs



S-3
Screw: M6*60mm
Washer: Φ 14*6*1mm
Nuts: M6

S-3/Screws & washers/Nuts: 4 pcs



T
Self-Screw: M4*12mm
External Teeth Gasket: M4

T/Self-Screws & External Teeth Gasket

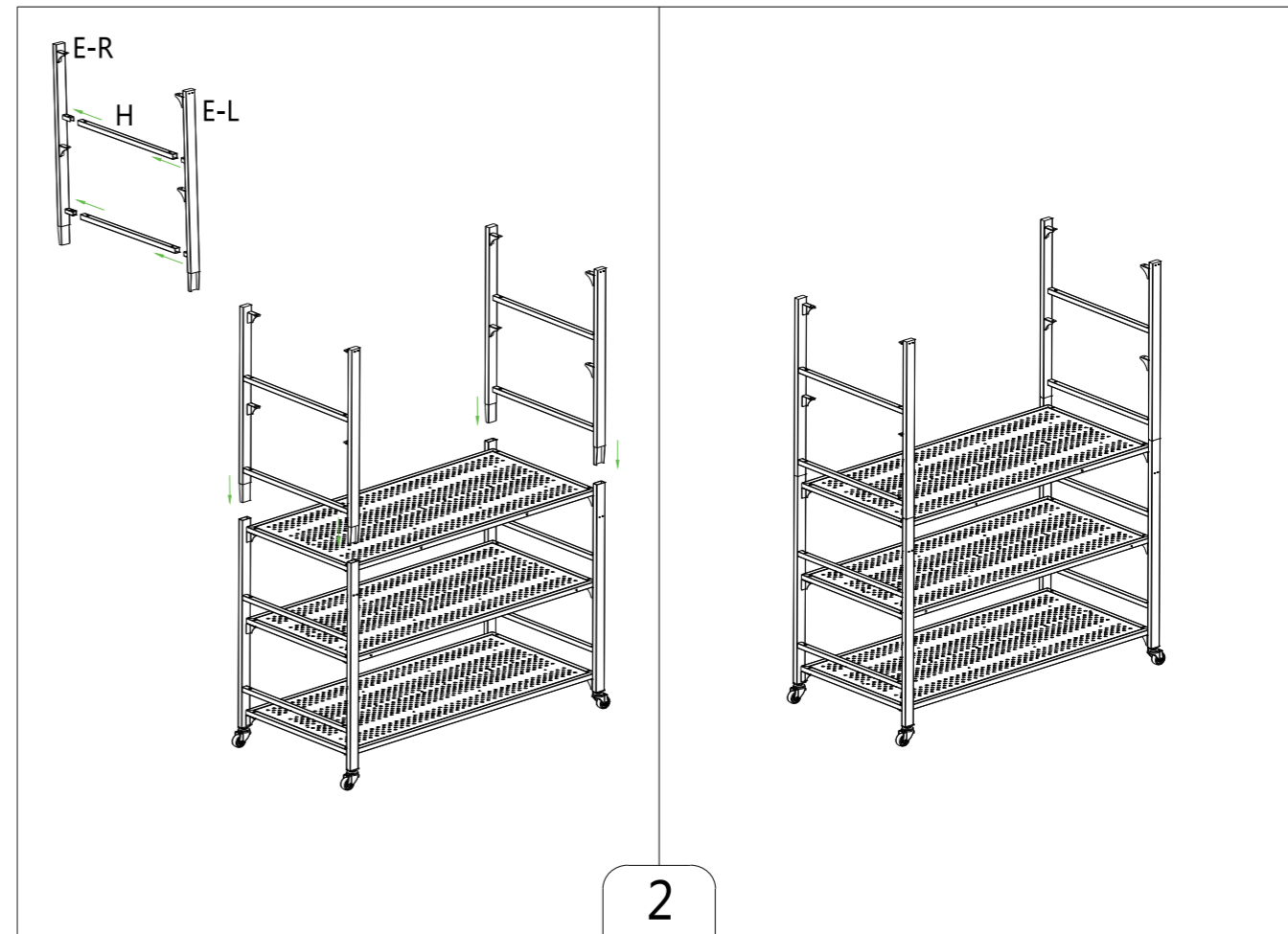
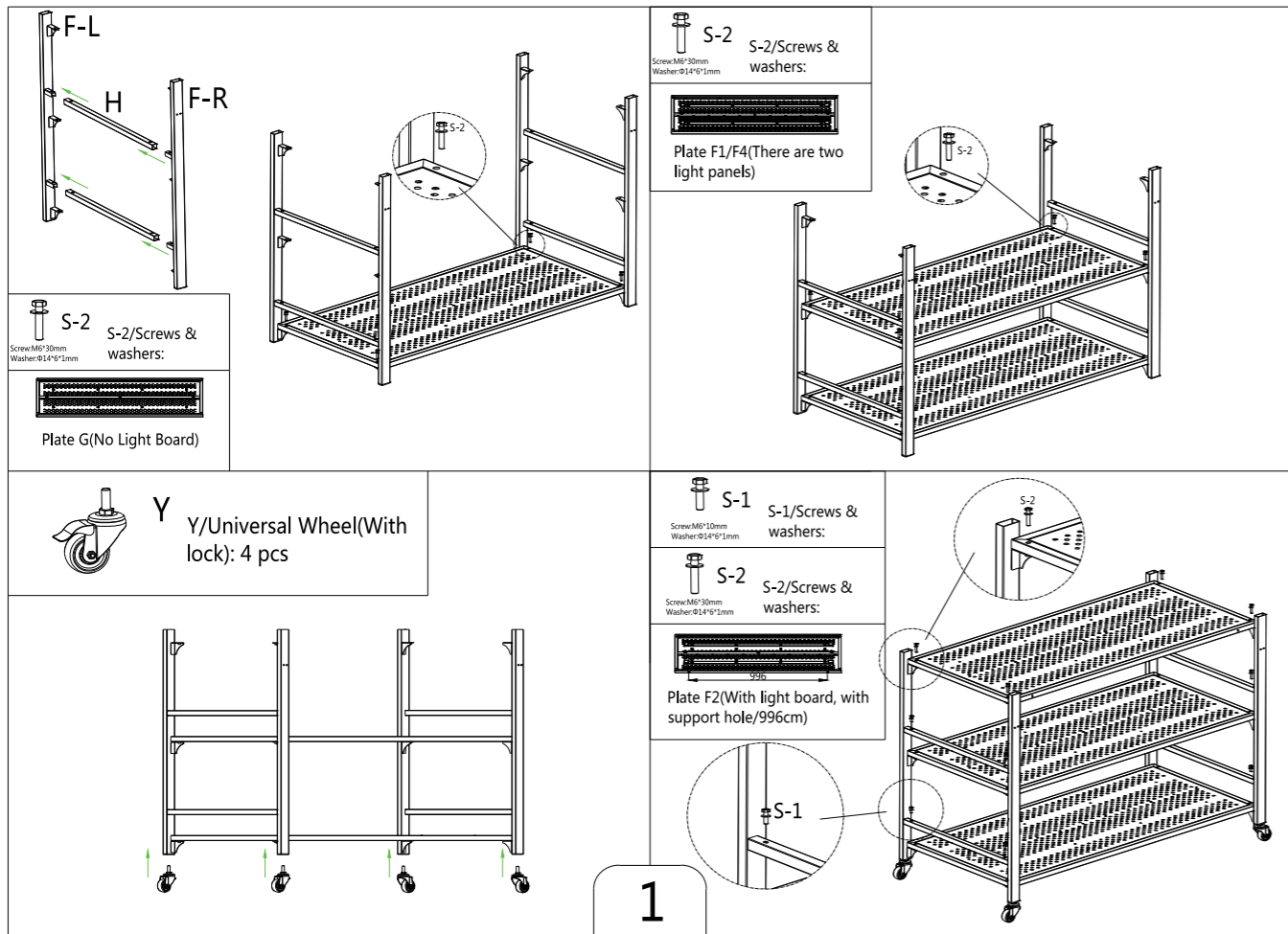


Y
Y/Universal Wheel (With lock): 4 pcs

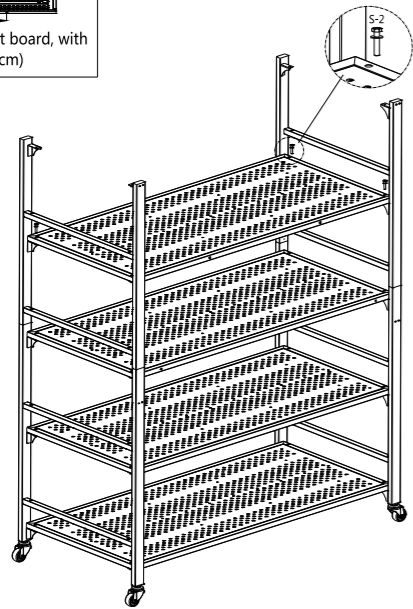
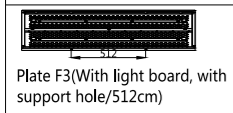


R
R/Electrical Box: 1 pcs

2

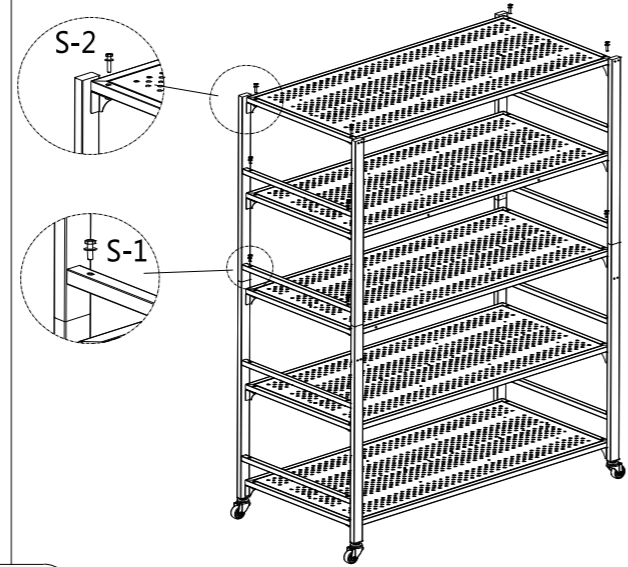
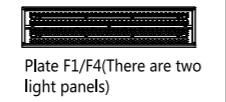


S-2 S-2/Screws & washers:
 Screw M6*30mm
 Washer Ø14*6*1mm



S-1 S-1/Screws & washers:
 Screw M6*10mm
 Washer Ø14*6*1mm

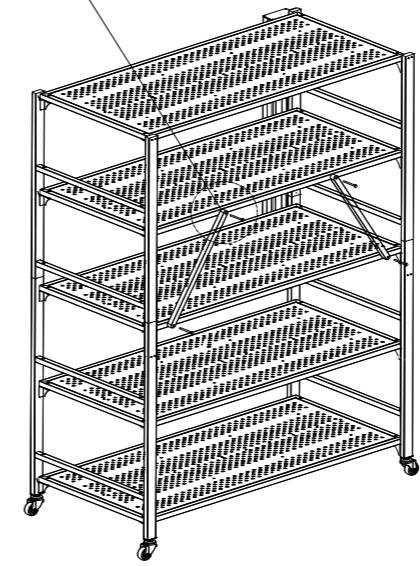
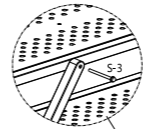
S-2 S-2/Screws & washers:
 Screw M6*30mm
 Washer Ø14*6*1mm



3

470mm
N
 N-/Support Rod:2 pcs

S-3 S-3/Screws & washers/Nuts:
 Screw M6*10mm
 Washer Ø14*6*1mm
 Nut M6



4

T T/Self-Screws & External Teeth Gasket:
 Self-Screw: M4*12mm
 External Teeth Gasket: M4

R R/Electrical Box: 1 pcs

